

4-20mA loop powered Display meter

Two-wire 4-20mA Indicator

type: 95600



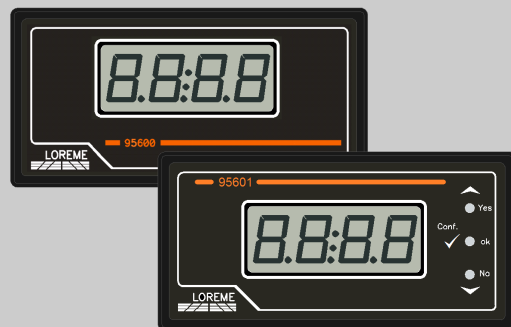
- **95600** 3½ digits analog version
- **95601** 4 digits programmable version
DIN panel case 96x48mm

- **95600RD:**
Din rail mounting version

- **95600EXT:**
IP66 waterproof mounting with wall or pipe support
Explosion-proof ATEX version
SIL2 version

- **4..20mA Loop powered display**
without external supply
Hart transparency

- **Wide temperature range LCD display**
Configurable display range



The 95600 series are 4-20mA loop powered LCD digital display meters. They don't require any auxiliary power supply and fit easily to all your installations. The 95600EXT version is design for rugged environmental conditions (outside) or for ATEX zone.

• 95600 specifications:



Feature

- DIN panel case: 96 x 48 x 63mm (Standard).
- Removal front face (scale adjustment access). All type of display possible.
- Zero offset switchable by dip switch.
- Positioning of the decimal point by dip switch.
- Fine gain & zero adjustment by potentiometer.
- Lateral fastening elements.
- Protection rating: IP52 (IP65 in option)
- Wiring on screw terminal block.

Display

- 4-20mA current loop powered (loop dropout voltage: 5 V).
- Display of current in meaningful engineering unit.
- High contrast LCD display (STN type), wide operating temperature, 3 1/2 digits, 12.5mm height, 2000 points resolution.
- accuracy: +/- 0.25 %.
- breaking indicator "1" or "-1".
- Automatic polarity (minus sign) indication.

Version and order code: [Request a quote](#)

- 95600** Analog version (setting with potentiometers)
- 95601** Numeric version (Front face programming)

Option :

- 95600/CAL** with 2 wires current loop PT100 transmitter embedded.

• 95600RD specifications:

Feature

- Din rail plastic enclosure, IP20 protection class.
- Wiring on spring terminal blocks.
- 3 push-buttons in front face for setting the display range.
- Display of loop current value possible.

Display

- 4-20mA current loop powered (loop dropout voltage: 5 V).
- Display of current in meaningful engineering unit.
- Wide operating temperature range LCD display, 4 digits, 10 mm height, 10000 points resolution.

Option:

- **IP65** : IP65 protection class enclosure



Version and order code: [Request a quote](#)

- 95600RD** Din rail mounting version

Option :

- **IP65** : Enclosure with 2 cable glands, IP65 protection rating

• 95600EXT specifications:

Feature

- Cast aluminium housing + epoxy coating (operating temperature - 25°C...+60°C), IP66 protection class.
- Multiple mounting possibilities: swivel bracket for mounting on vertical or horizontal pipe (specify diameter) or wall mount. Option: ATEX (**95600EXT/ADF**)
- Explosion-proof approval housing certificate (ATEX 6097X/01).
- Gas and dust approval.
- 4-20mA current loop powered (loop dropout voltage: 5 V).
- Display of current in meaningful engineering unit.
- Wide operating temperature range LCD display, 4 digits, 10 mm height, 10000 points.
- Configurable display range by push buttons. (do not carry out this operation on site if the device is used in hazardous area. The device must not be opened while it is powered in hazardous area).



Operational safety data:

Component type B, HFT = 0
λf : 457 fit
DC : 95.4 %
SFF : 91.8 %



Version and order code: [Request a quote](#)

- 95600EXT** waterproof IP66 version
- 95600IEXT** waterproof IP66 version (ss316)
- Option :** - **ADF** : Explosion-proof protection
- **SIL2** : SIL2 version

MEASURE

Zero drift	< 0.01 % / °C
End of scale drift	< 0.01 % / °C
Accuracy	0.25% of scale
Loop dropout voltage	5 V max.
Equivalent load @ 20 mA	250 Ohms

Electromagnetic compatibility 2004/108/CE / Low Voltage Directive 2006/95/EC

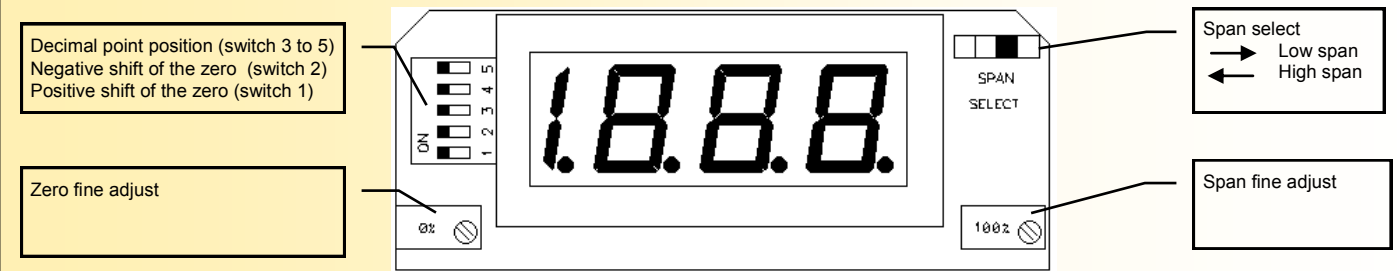
Immunity standard for industrial environments EN 61000-6-2	
EN 61000-4-2 ESD	EN 61000-4-8 AC MF
EN 61000-4-3 RF	EN 61000-4-9 pulse MF
EN 61000-4-4 EFT	EN 61000-4-11 AC dips
EN 61000-4-5 CWG	EN 61000-4-12 ring wave
EN 61000-4-6 RF	EN 61000-4-29 DC dips

Emission standard for industrial environments EN 61000-6-4	
EN 55011	
group 1	
class A	

ENVIRONMENT

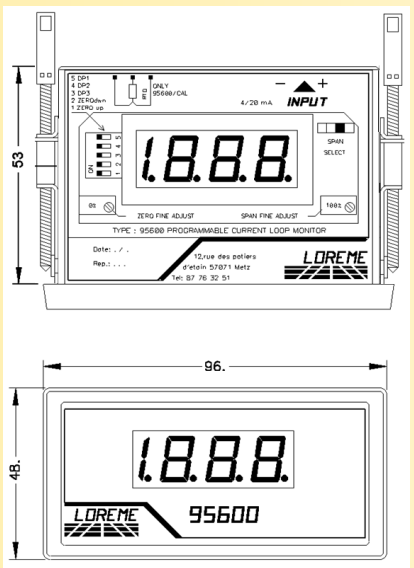
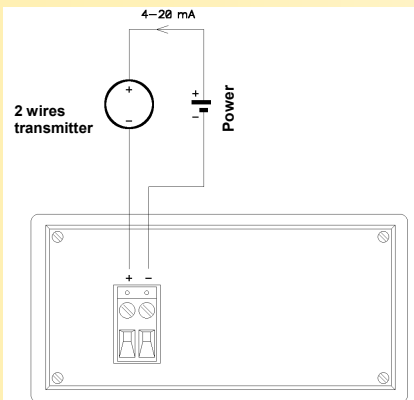
Operating temperature:	-20 °C to 60 °C
Storage temperature:	-30 °C to 85 °C
Protection (95600):	IP52 (IP65 in option)
Protection (95600EXT):	IP66
Weight (95600) :	150 g approx.
Weight (95600EXT):	1.5 kg approx.
MTBF (MIL HDBK 217F) life time	> 2 000 000 Hrs @ 25°C > 150 000 Hrs @ 30°C

95600's display setting(remove front panel to access)

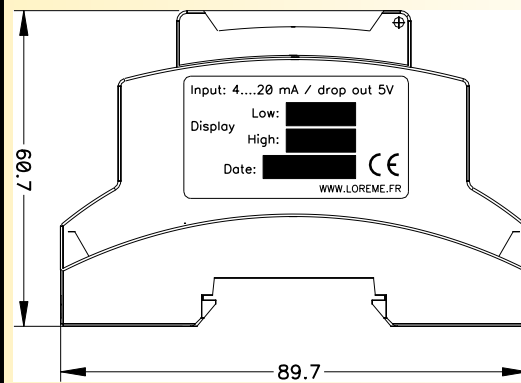
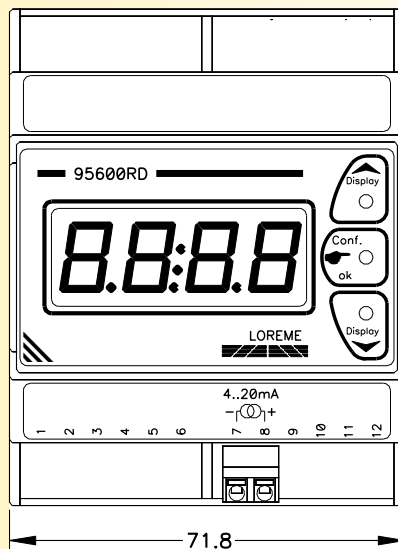


WIRING AND OUTLINE DIMENSIONS:

TYPE :95600



TYPE :95600RD



TYPE :95600 EXT

Internal detail of programmable indicator

